

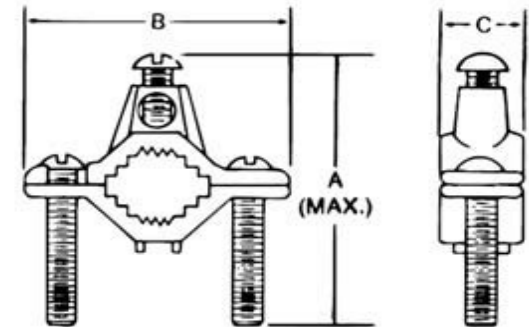


BRONZE WATER PIPE CLAMPS J STYLE CLAMPS



CATALOG NUMBER	WATER PIPE SIZE	CONDUTOR SIZE MAX	WIRE RANGE MIN	UL LISTED	DIRECT BURIAL	A	B	C
J	1/2"-1"	#2 STR.	#10 SOL.	YES	---	2 3/4	2 11/32	23/32
J2	1 1/4"-2"	#2 STR.	#10 SOL.	YES	---	3 3/4	3 1/2	13/16
J2124	2 1/2"- 4"	#4 STR.	#10 SOL.	YES	---	6	6 5/16	1
J6	4 1/4"- 6"	#4 STR.	#10 SOL.	YES	---	7 1/4	8 1/8	1
JD	1/2"-1"	#2 STR.	#10 SOL.	YES	YES	2 3/4	2 11/32	23/32
J2D	1 1/4"-2"	#2 STR.	#10 SOL.	YES	YES	3 3/4	3 1/2	13/16
JJR	1/2"- 1"	#2 STR.	#10 SOL.	YES	---	2 15/32	23/32	17/32

MATERIAL: SILICON BRONZE



Family Owned
...And Operated!!

FOR MORE INFORMATION

EMAIL
sales@connectorcastings.com

WEBSITE
www.connectorcasting.com

CALL
731-334-5585

LOCATIONS:
1600 NORTH 22ND STREET, ST. LOUIS, MO 63106
671 INDUSTRIAL PARK DRIVE, SELMER, TN 38375